

VALVES WITH QUICK CONNECTIONS - D SERIES - Ø 3/4" - 1" - 1 1/2"

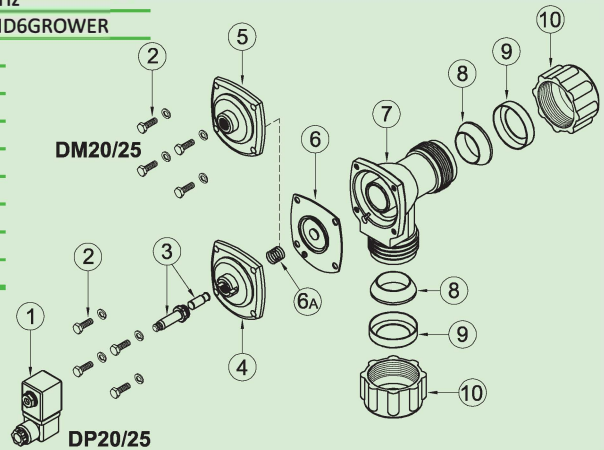


FEATURES

Fluids	Non-lubricated filtered air
Operating temperature	Nitrile diaphragm -20°C; +80°C Viton diaphragm -20°C; +200°C
Operating pressure	Between 0.5 and 7.5 bar
Body and cover	Die-cast aluminium
Pilot unit	Stainless steel
Screws and bolts	Stainless steel
Coil insulation	Class H
Connector	PG 9 EN175301-803
Connector + coil protection	IP65 EN60529
Standard voltage	24V/50-60Hz (±10%) 19VA 115V/50-60Hz (±10%) 19VA 230V/50-60Hz (±10%) 19VA 24VDC (± 10%) 18 Watt

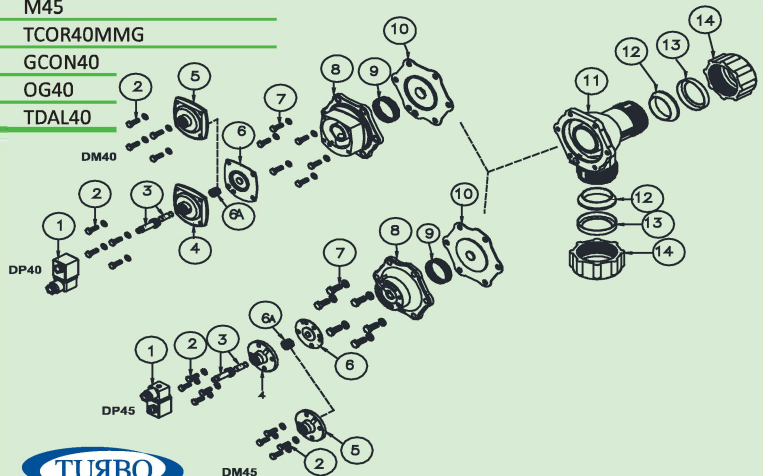
DESCRIPTION	DM20/DP20	DM25/DP25
1 Coil + Connector	BH10...V/50-60Hz	BH10...V/50-60Hz
2 Screws + Washers	VTE6x20+TROND6GROWER	VTE6x20+TROND6GROWER
3 Pilot unit	GPC10	GPC10
4 Cover	TCOP25	TCOP25
5 Remote cover	TCOP25FM	TCOP25FM
6 Diaphragm	M25	M25
6a Spring	TMOL10G	TMOL10G
7 Valve body	TCOR20/25MM G	TCOR25MMG
8 Conical seal	GCON20	GCON 25
9 Retaining ring	OG20	OG25
10 Compression nut	TDAL20/25	TDAL25

DP version with built-in pilot
DM version with remote pilot



DESCRIPTION	DM40/DP40	DM45/DP45
1 Coil + Connector	BH10...V/50-60Hz	BH10...V/50-60Hz
2 Screws + Washers	VTE6x20+TROND6GROWER	VTE6x18+TROND6GROWER
3 Pilot unit	GPC10	GPC10
4 Cover	TCOP25	TCOP10
5 Remote cover	TCOP25FM	TCOP10FM
6 Diaphragm	M25	M10
6a Spring	TMOL10G	TMOL11G
7 Screws + Washers	VTE8x20+TROND8GROWER	VTE8x20+TROND8GROWER
8 Cover	TCOP40N	TCOP45N
9 Spring	TMOL40	TMOL40
10 Primary diaphragm	M40	M45
11 Body	TCOR40MMG	TCOR40MMG
12 Conical seal	GCON40	GCON40
13 Retaining ring	OG40	OG40
14 Compression nut	TDAL40	TDAL40

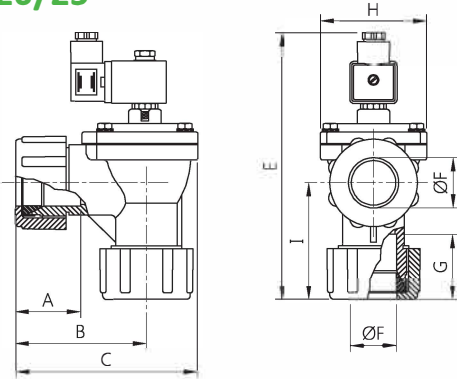
EP version with built-in pilot
EM version with remote pilot



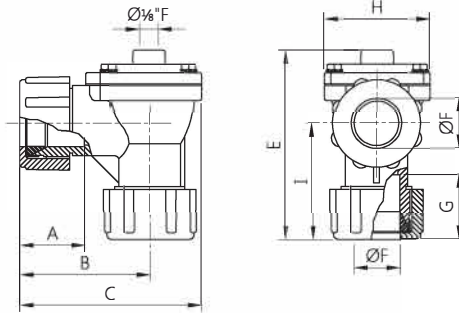
D SERIES - $\varnothing \frac{3}{4}$ " - 1" - 1 1/2" - OVERALL DIMENSIONS

PULSE VALVES WITH QUICK CONNECTIONS

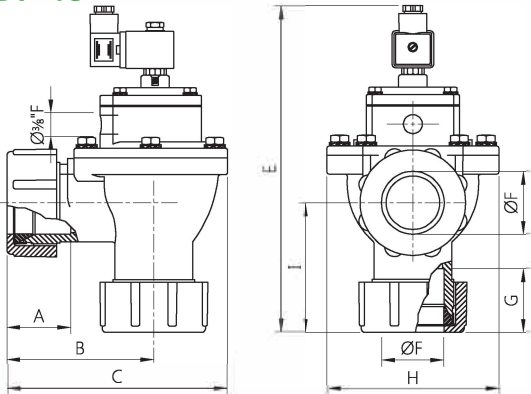
DP 20/25



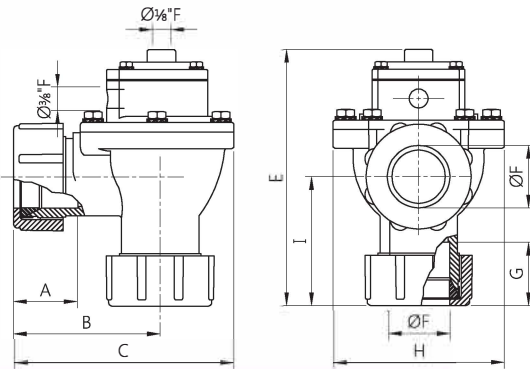
DM 20/25



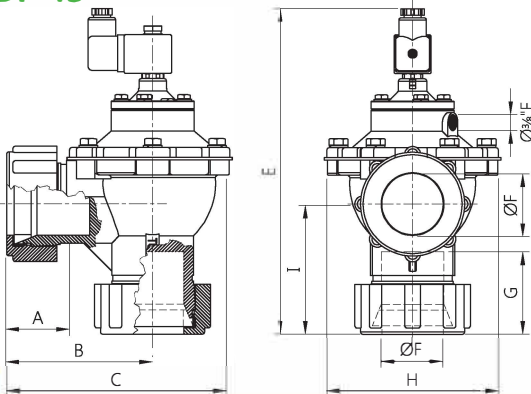
DP 40



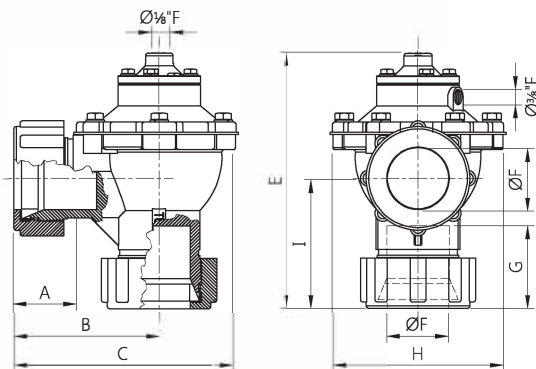
DM 40



DP 45



DM 45



A, B, and C dimensions vary according to the compression of the conical seal

MODEL	Ø L (nom)	A	B	C	E	Ø F	G	H	I	Weight (kg)
DP 20	3/4"	48	90	128	~189	28.5	48	74	80	1.1
DP 25	1"	48	90	128	~189	35	48	74	80	1
DP 40	1 1/2"	66	114	180	~264	50	66	140	101	2.5
DP 45	1 1/2"	66	114	180	~260	50	66	140	101	2.5
DM 20	3/4"	48	90	128	~131	28.5	48	74	80	1.1
DM 25	1"	48	90	128	~131	35	48	74	80	0.9
DM 40	1 1/2"	66	114	180	~206	50	66	140	101	2.3
DM 45	1 1/2"	66	114	180	~204	50	66	140	101	2.3

